






















Wall Mounted

<p>WALL MOUNT TRACK SPLICE CONNECTOR - UP -</p>  <p>WMTSC-U-16 008-00130 \$8.00</p>	<p>WALL MOUNT TRACK SPLICE CONNECTOR - DOWN -</p>  <p>WMTSC-D-16 008-00131 \$8.00</p>	<p>WALL MOUNT TRACK CONNECTOR - UP -</p>  <p>WMTSC-U-16 008-00129 \$7.80</p>	<p>WALL MOUNT TRACK CONNECTOR - DOWN -</p>  <p>WMTSC-D-16 008-00128 \$7.80</p>	<p>DOUBLE WALL MOUNT TRACK SPLICE CONNECTOR - UP -</p>  <p>DWMTC-U-16 008-00115 \$16.30</p>	<p>DOUBLE WALL MOUNT TRACK SPLICE CONNECTOR - DOWN -</p>  <p>DWMTC-D-16 008-00114 \$16.30</p>	<p>WALL MOUNT END STOP - UP -</p>  <p>WMES-U-16 008-00117 \$6.95</p>	<p>WALL MOUNT END STOP - DOWN -</p>  <p>WMES-D-16 008-00116 \$6.95</p>
--	--	---	---	---	--	---	---




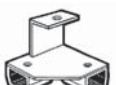

Beam Mounted

<p>BEAM FLANGE TRACK SPLICE CONNECTOR</p>  <p>BFTSC-16 008-00013 \$25.50</p>	<p>DOUBLE BEAM FLANGE TRACK SPLICE CONNECTOR</p>  <p>DBFTSC-16 008-00173 \$40.20</p>	<p>BEAM FLANGE TRACK CONNECTOR</p>  <p>BFTC-16 008-00012 \$25.50</p>	<p>BEAM FLANGE CORNER CONNECTOR 90°</p>  <p>BFCC-16 008-00010 \$34.65</p>	<p>BEAM FLANGE CLAMP</p>  <p>BFC-16 008-00009 \$5.05</p>
--	--	--	---	--




Ceiling Mounted

<p>CEILING SUPPORT/SPLICE CONNECTOR</p>  <p>CSC-16 008-00018 \$5.50</p>	<p>CEILING CORNER CONNECTOR 90°</p>  <p>CCC-16 008-00017 \$28.50</p>	<p>CEILING "T" CONNECTOR</p>  <p>CTC-16 008-00136 \$35.50</p>	<p>90° CURVED TRACK WITH CEILING CONNECTORS</p>  <p>CTCC-16 999-00095 \$82.00</p>	<p>DOUBLE CEILING SUPPORT/SPLICE CONNECTOR</p>  <p>DCSSC-16 008-00025 \$38.00</p>	<p>CURVED TRACK 90°</p>  <p>CC-90-16 008-00007 \$68.50</p>
--	---	--	---	--	---






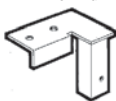
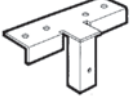






Threaded Rod Mounted

<p>THREADED ROD TRACK SPLICE CONNECTOR -UP-</p>  <p>TRTSC-16 008-00098 \$9.40</p>	<p>DOUBLE THREADED ROD SPLICE CONNECTOR</p>  <p>DTRSC-16 008-00175 \$18.60</p>	<p>THREADED ROD TRACK CONNECTOR -UP-</p>  <p>TRTC-16 008-00097 \$10.10</p>	<p>THREADED ROD CORNER CONNECTOR 90°</p>  <p>TRCC-16 008-00095 \$29.50</p>	<p>THREADED ROD THREE WAY CONNECTOR</p>  <p>TRTWC-16 008-00096 \$37.10</p>
--	---	---	---	---



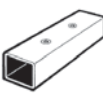



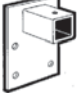
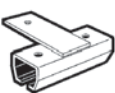
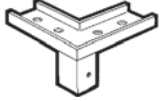
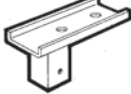




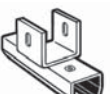
Chain Mounted

<p>CHAIN SUPPORT SPLICE CONNECTOR</p>  <p>CHSSC-16 008-00021 \$7.90</p>	<p>DOUBLE CHAIN SUPPORT SPLICE CONNECTOR</p>  <p>DCHSSC-16 008-00172 \$17.00</p>	<p>CHAIN SUPPORT CONNECTOR</p>  <p>CHSC-16 008-00020 \$8.50</p>	<p>HEAVY DUTY #2 SUSPENSION CHAIN</p>  <p>SC-2 038-00063 \$2.25</p>	<p>CHAIN SUPPORT CORNER CONNECTOR 90°</p>  <p>CHSCC-16 008-00380 \$31.80</p>	<p>CHAIN SUPPORT CURVED TRACK 90°</p>  <p>CHSCT-16 008-00006 \$93.50</p>	<p>HEAVY DUTY 3/16" "S" HOOK</p>  <p>SH-3-16 008-00133 \$1.15</p>
--	---	--	--	---	---	--



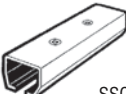




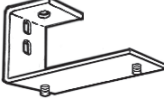



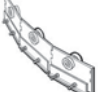
1 1/4" Tubing Components

FLOOR MOUNT BASE 6"x6"	FLOOR MOUNT BASE 12"x12"	FLOOR MOUNT COLUMN SQUARE TUBE	SQ. TUBE WITH ATTACHED STUDDED HARDWARE	THREE-WAY CORNER CONNECTOR	FLOOR SUPPORT END CONNECTOR LEFT OR RIGHT	FLOOR SUPPORT SPLICE CONNECTOR
						
FMB-6-1/4 008-00031 \$28.80	FMB-12-1/4 008-00029 \$53.00	FMC-8-1/4 \$42.50 FMC-10-1/4 \$52.75	ST-11/4-UL-8 \$170.00 ST-11/4-UL-10 \$212.00	TWCC-8-11/4 008-00004 \$38.50	FSEC-11/4 L 008-00039 \$36.00 FSEC-11/4 R 008-00040 \$36.00	FSSC-11/4 008-00043 \$37.50
FLOOR SUPPORT TRACK CORNER CONNECTOR	FLOOR SUPPORT TRACK "T" CONNECTOR	FLOOR SUPPORT TRACK CONNECTOR	CROSS SUPPORT 90° ANGLE	DOUBLE FLOOR SUPPORT TRACK SPLICE CONNECTOR	FLOOR SUPPORT 90° CURVE CONNECTOR	
						
FSTCC-11/4 008-00044 \$36.50	FSTTC-11/4 008-00142 \$51.50	FSTC-11/4 008-00141 \$26.50	CSA-90 008-00024 \$9.50	DFSTSC-11/4 008-00254 \$45.00	FSCC-90-11/4 008-00513 \$103.75	

2" Tubing Components

FLOOR MOUNT BASE 12"x12"	FLOOR MOUNT COLUMN SQUARE TUBE	TELESCOPING CONNECTOR	FLOOR SUPPORT SPLICE CONNECTORS	SUPPORT CORNER CONNECTOR 90°	CORNER CONNECTOR 90°	WALL MOUNT CONNECTOR	TRACK SPLICE CONNECTOR WITH PLATE
							
FMB-12-2 008-00030 \$55.00	FMC-8-2 \$62.00 FMC-12-2 \$92.00	TC-2 \$22.50	FSSC-2 008-00140 \$38.00	SCC-90-2 008-00089 \$23.50	CC-90-2 008-00023 \$21.00	WMC-2 008-00165 \$27.00	TSCWP-2 008-00101 \$23.00
THREE-WAY CORNER CONNECTOR	FLOOR SUPPORT END CONNECTOR	FLOOR SUPPORT 90° CURVE CONNECTOR	SQ. TUBE WITH 3/8" THREADED INSERTS @ 24" CENTERS & STUDDED HARDWARE	FLOOR SUPPORT TRACK CORNER CONNECTOR	FLOOR SUPPORT TRACK SPLICE CONNECTOR	2" SQ. TUBE SPLICE CONNECTOR	
							
TWCC-2 008-00005 \$76.00	FSEC-2 008-00038 \$36.50	FSCC-90-2 008-00037 \$110.00	EXTRA THREADED INSERTS \$ 4.00 EACH ST2-UL-8-3/8 \$180.00 ST2-UL-10-3/8 \$225.00 ST2-UL-12-3/8 \$270.00	FSTCC-2 008-00045 \$41.00	FSTSC-2 008-00213 \$22.00	TSCWU-2 008-00162 \$19.50	

Universal Components

STRAIGHT TRACK	DOUBLE TRACK SPLICE CONNECTOR	STRAIGHT SPLICE CONNECTOR	CEILING SUPPORT CONNECTOR	PULL ROPE WITH 10' CORD	END STOP
					
RT-16-6 008-00180 \$16.00 RT-16-8 008-00181 \$21.00 RT-16-10 008-00182 \$26.00	DTSC-16 008-00026 \$14.00	SSC-16 008-00082 \$6.50	CSC-16 008-00018 \$5.50	PR-10 008-00073 \$20.50	ES-16 008-00028 \$1.50
TWO WHEEL ROLLER WITH CONNECTOR	UNIVERSAL MOUNTING BRACKET	STEEL, BALL BEARING ROLLER WITH 1" HOOK	NYLON ROLLER WITH 1/2" or 1" HOOK	SECTIONAL HINGED TROLLEY WITH NYLON WHEELS	SECTIONAL HINGED TROLLEY WITH STEEL WHEELS
					
P-16-SW 008-00003 \$9.85	UMB-16-1 095-00001 \$5.50	SR-16-1 008-00190 \$7.60	NR-16-1 008-00064 \$2.40	HT-16 008-00062 \$18.60/ft.	HT-16-SW 008-00157 \$22.75/ft.