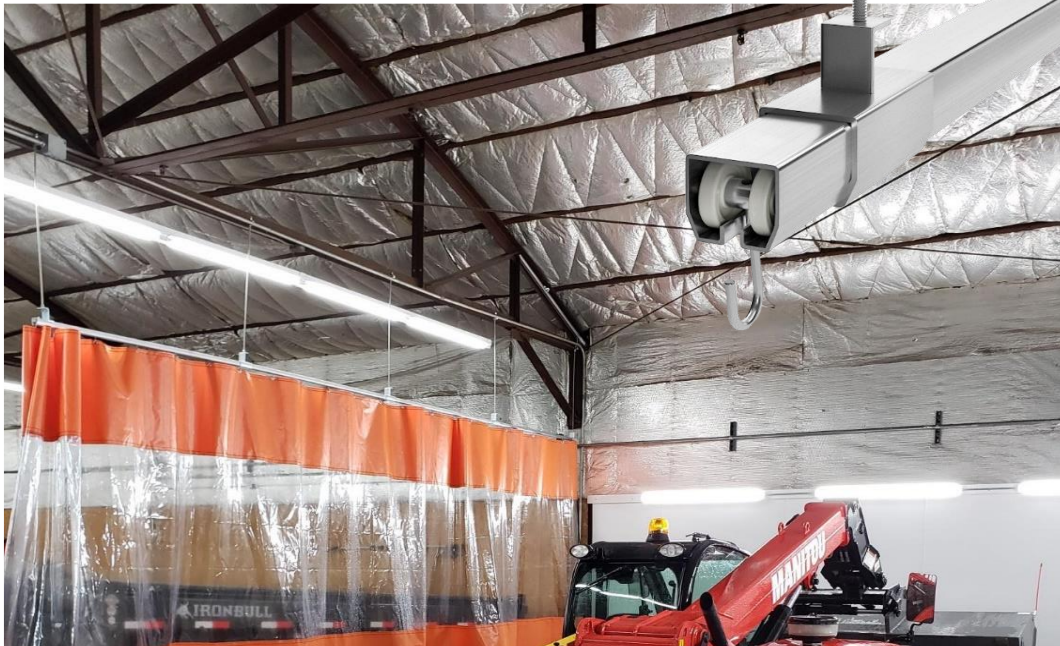




www.curtain-and-divider.com
989-414-1209

Installation Directions

Threaded Rod



⚠ WARNING

Allow the curtain(s) to reach room temperature (above 50°F/10°C) before unfolding. If unfolded cold the curtains can cold crack and this will not be covered by AKON.

IMPORTANT

Make sure the ceiling height is at least 3" higher than your curtain height.

AKON does not provide the fasteners or threaded rods to connect your hardware to your structure.

STEP 1- INVENTORY

Make sure you have all of your components.. Compare your AKON order confirmation and packing slips if you have one to what you have received. Don't start until you have all of the parts as sometimes the shipping carriers split up shipments or it is coming from more than one AKON warehouse. Contact Akon Curtains if anything is missing. Just use our general contact form or call in.



STEP 2- LAYOUT THE TRACK - (DON'T CONNECT YET)

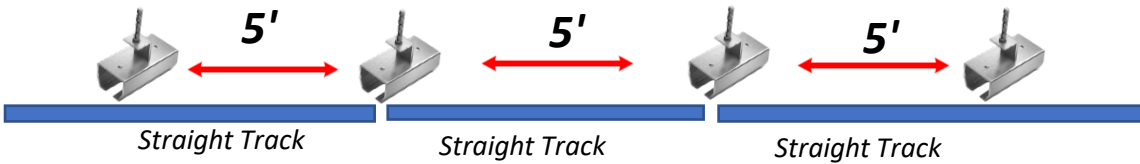
Layout the track on the floor so that you can determine if you need to make any cuts to shorten the tracks. Simply lay the track and track supports out **without connecting them** together. At this stage you are just making sure your layout is ok and that you know where you are going to drop down the rods.

SPACING THE SUPORTS

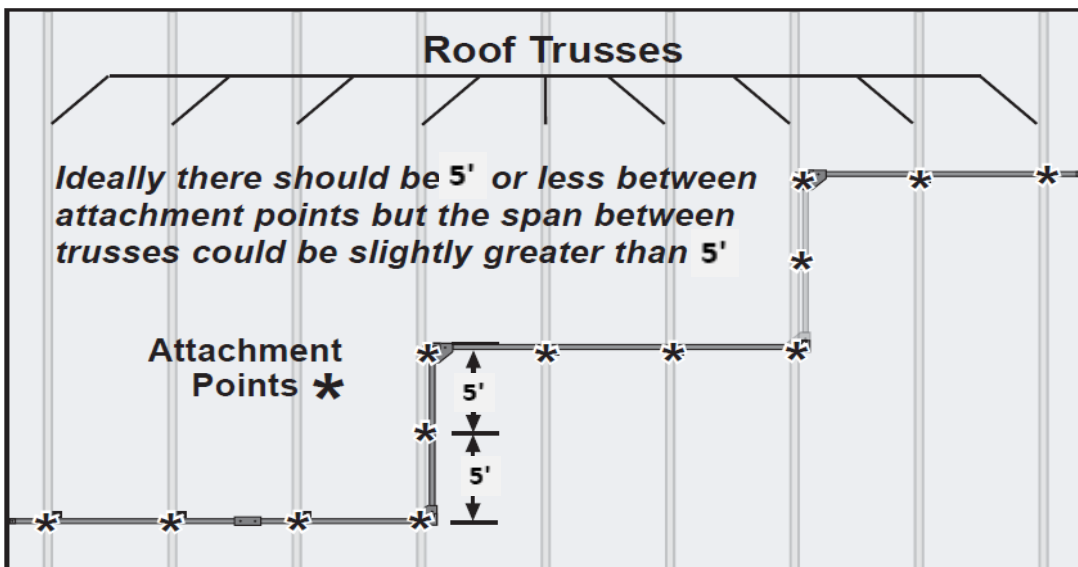
You should have enough track supports to support the track approximately every 5-6'. As you space out the track supports try to visualize where the rods drops would come from above you.



You can sometimes space out the supports farther than 5' but if the track looks like its bending then bring them closer together.



How you attach the threaded rods to the structure above is your decision. AKON does offer edge clamps from our website and so do many local stores.



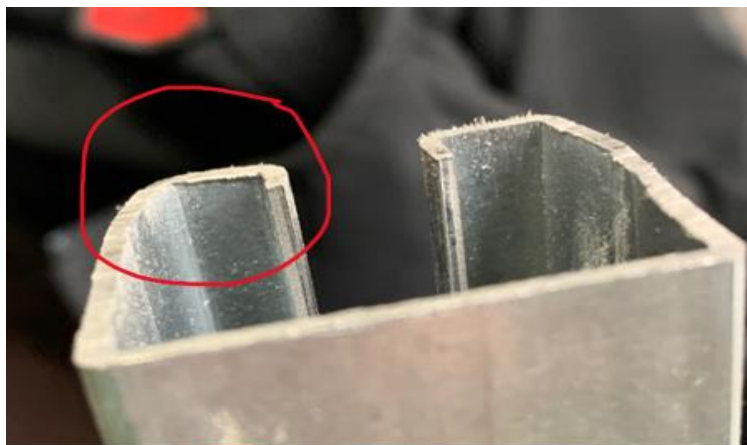
STEP 3 – CUT THE TRACK (IF NEEDED)

Now laying on your floor you should have track in your desired layout. At this point you may or may not want to cut the track down to shorten it. If you do, just trim any edges off of the track to get your desired layout. You can use a hand saw or if lots of cuts are needed a Sawzall with a metal cutting blade is ideal.



Tip!

If you are cutting your track make sure there are no burrs from the cut. These will bind the rollers and make it hard to move your curtain. If you have burrs simply file them down.



STEP 4 – CUT YOUR THREADED RODS

NOTE: The design of your curtain assembly will be determined by the position of the roof trusses or beams. How you attach the rods to the trusses is your decision. AKON does not provide the fasteners, or rods to connect your hardware to your structure.

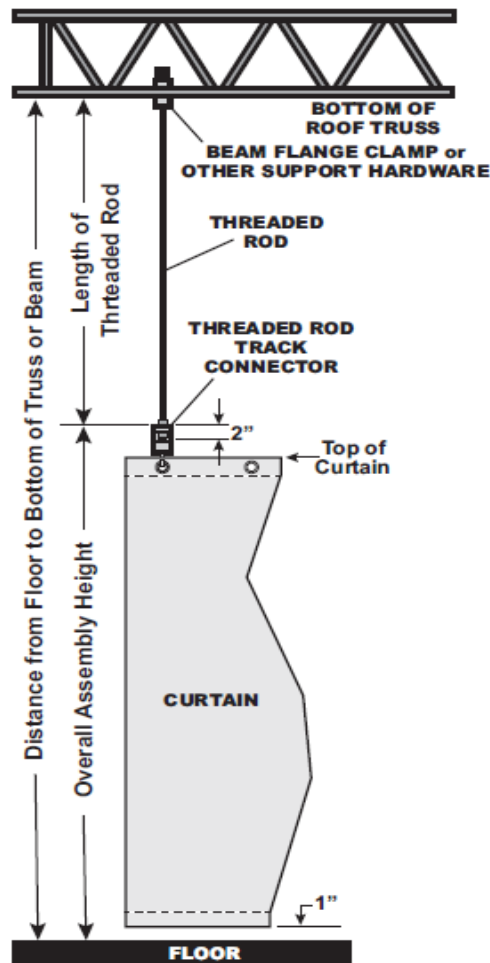
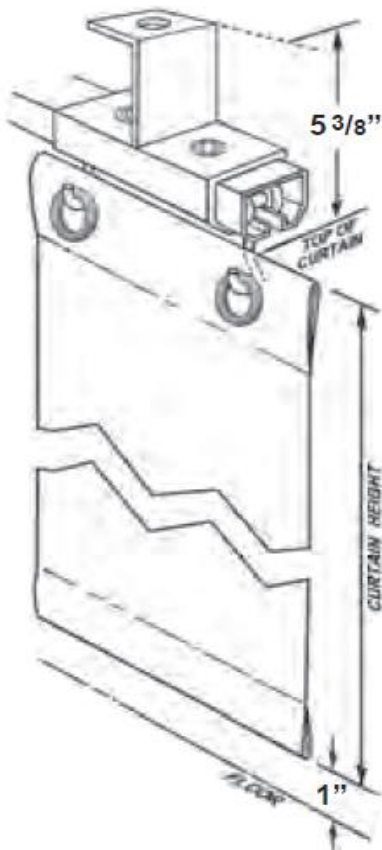
STEP 1 - Use the profile images below to guide you in determining the length of rods. Keep in mind if you have a sloped ceiling then you will have shorter and longer rods to compensate for the slope to keep the track parallel with the floor.

STEP 2 - Cut the rods and lay them out under the spot they will drop from.

STEP 3 - Attach all of the rods to the structure. You will now be ready to start your track installation.

To determine the length of the threaded rods
use the following formula:

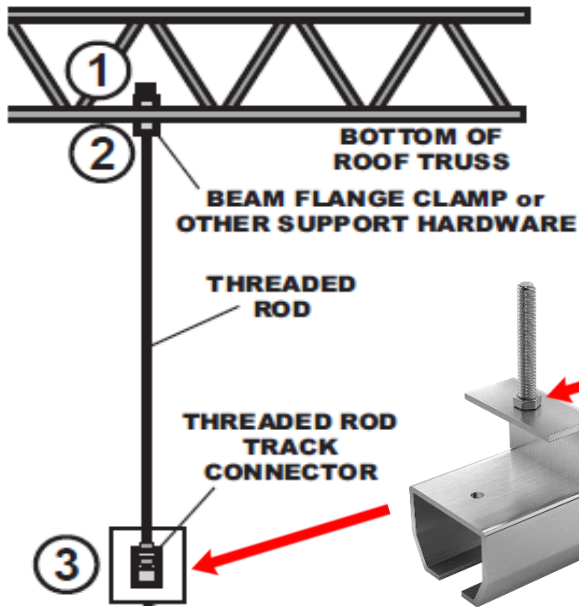
$$\begin{aligned} &\text{Distance from Floor to Bottom of Truss or Beam} \\ &\quad - \text{Overall Assembly Height} + 2'' \\ &= \text{Length of Threaded Rods} \end{aligned}$$



When making your cuts, make sure you leave some extra rod so that you can "tweak" the height up or down.

STEP 5 - ATTACH THE TRACK SUPPORTS TO THE CHAINS

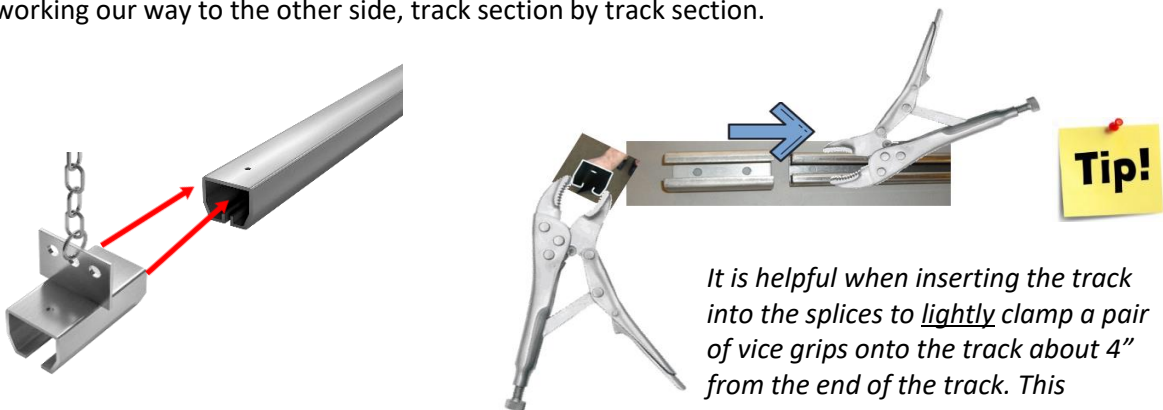
At the end of each rod, attach the track support so that they are hanging in the air like the image below.



Place a nut and washer onto the rod, then place the connector and finally another washer and nut. Once the connector is level with all other connectors in the assembly, tighten the top nut to lock the hardware in place.

STEP 6 - ATTACH THE TRACKS TO THE SUPPORTS

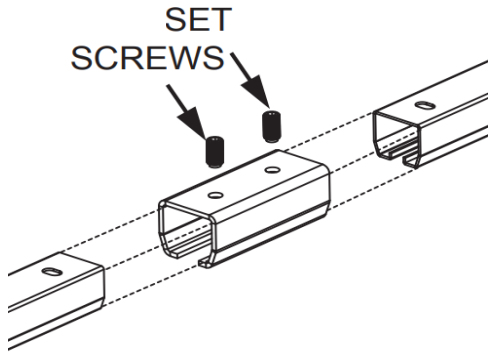
Attach the straight track sections to those hanging splice connectors. We will start from the one side working our way to the other side, track section by track section.



It is helpful when inserting the track into the splices to lightly clamp a pair of vice grips onto the track about 4" from the end of the track. This narrows the track and allows easy insertion of the splices. Don't pinch too hard or you will deform the track.

STEP 7 - INSERT THE SET SCREWS

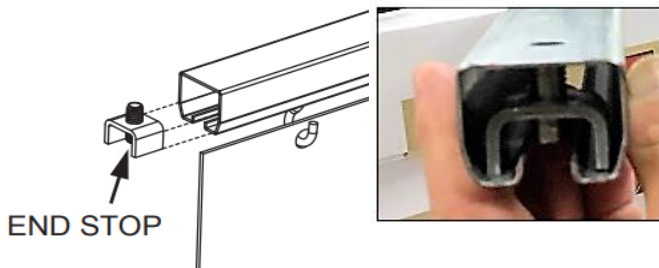
As you move along connecting the tracks together with the track supports insert the set screws. Loosely place 2 allen screws onto each splice connector and give it just one and a half turns.



Tip! Don't overtighten the set screws or it will deform the track and bind the roller hooks.

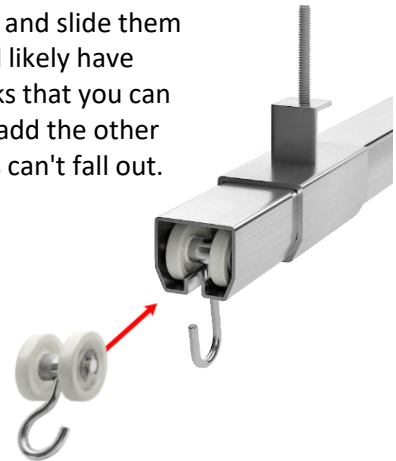
STEP 8 - ATTACH END STOP

Attach only 1 end stop onto either side of the track. We are only installing one right now because we need to add the roller hooks next.



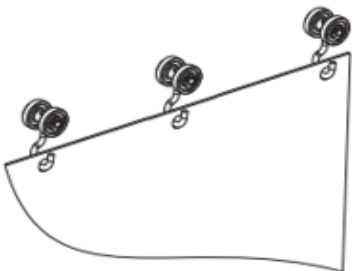
STEP 9 - INSERT THE ROLLER HOOKS

Insert the roller hooks and slide them into the track. You will likely have some extra roller hooks that you can keep as spares. Then add the other end stop so the rollers can't fall out.



STEP 10 - HANG THE CURTAIN

Now hang the curtain onto the roller hooks. Each grommet on the curtain should be hanging from a roller hook. **NOTE:** If you have a curtain taller than 15' then have a friend help you hold the curtain during this process. Never let the curtain hang from a single hook or it could pop out the grommet from the weight. Congratulations! Your Curtain Is Ready to Use!



USEFULL INFORMATION

- Ideal threaded rod size is 3/8" which is available from most hardware stores and online stores.
- Edge clamps can be purchased from AKON or from hardware stores. There are many styles of threaded rod anchors to choose from on the market. You can also find anchors like shown below for screwing into wood, concrete..etc...



www.curtain-and-divider.com

989-414-1209